



APPROVAL SPECIFICATION SHEET

CUSTOMER:

PART NUMBER:

A0-MR16-M350-45A-A

SPECIFICATIONS:

Input AC-DC 12v / Output 9~10.2v 350mA

BRAND:

LONGSHEN

CUSTOMER P/N:

DATE:

CUSTOMER	VENDOR	
APPROVED BY	CHECKED BY	CONFIMED BY

台北縣中和市中正路 880 號 11 樓之 7

TEL: +886-2-8228-1101 · FAX: +886-2-8228-1103

<http://www.long-shen.com>

3.3W MR16 LED Driver

FEATURES

AC/DC Input Voltage Range

Constant Output Current

Hysteretic PFM improves efficiency at light loading

Small Size

Protection: OTP / Open & Short Circuit

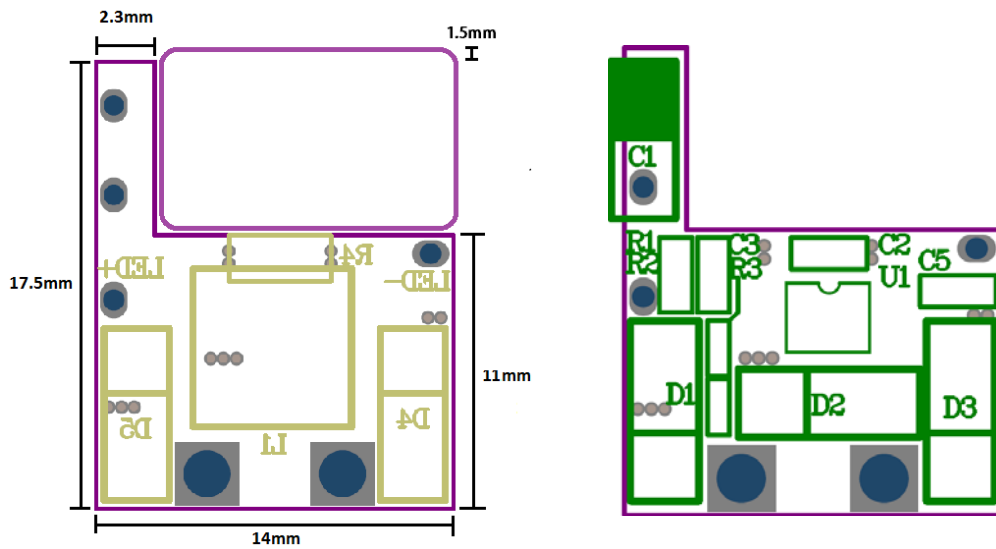
CE/RoHS Compliance



SPECIFICATION

Symbol	Characteristics	Condition	Min.	Typ.	Max.	Unit
Input	Voltage	AC		12		V
	Voltage	DC	12		14	V
	Efficiency	Vin=12V(DC) Iout=350mA Vout=9.6v	83	85	87	%
Output	Voltage		9	9.6	10.2	V
	Current		325	350	375	mA
	Current Accuracy				±7	%
	Ripple Current	Vin=12V(AC) Iout=350mA Vout=9.6v			40%	Ip-p
	Power			3.3	3.8	W
	Operating Temperature		-20		+40	°C
	Storage Temperature		-40		+80	°C
NOTE	(1) Different measuring instruments have deviation (2) Component Temperature Over 90°C Recommend Use Thermal Conductivity of Glue (3) After Rectifier DC Vin-Vout > 2v (4) Secondary Processing (Wire & Assembly) Note ESD Protection					

DIMENSION



TOP VIEW

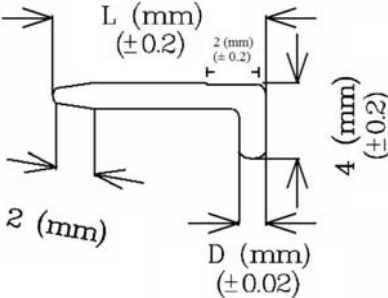
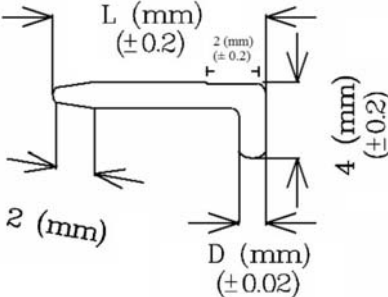
BOTTOM VIEW



SIDE VIEW

Tolerance : $\pm 1.0\text{mm}$

CONNECTOR TYPES & PIN ASSIGNMENTS

Location	SPEC	Remark
(AC) Input L	$D = 1.5\varnothing$ $L = 11$	尖頭
		
(AC) Input N	$D = 1.5\varnothing$ $L = 11$	尖頭
		
(DC) Output LED+		
NC		
(DC) Output LED-		
NC		