



APPROVAL SPECIFICATION SHEET

CUSTOMER:

PART NUMBER:

A0-MR16-M700-45A-A

SPECIFICATIONS:

Input AC-DC 12v / Output 5~7v 700mA

BRAND:

LONGSHEN

CUSTOMER P/N:

DATE:

| CUSTOMER | VENDOR | |
|--------------------|-------------------|--------------------|
| APPROVED BY | CHECKED BY | CONFIMED BY |
| | | |

台北縣中和市中正路 880 號 11 樓之 7

TEL: +886-2-8228-1101 · FAX: +886-2-8228-1103

<http://www.long-shen.com>

4.2W MR16 LED Driver

FEATURES

AC/DC Input Voltage Range

Constant Output Current

Hysteretic PFM improves efficiency at light loading

Small Size

Protection: OTP / Open & Short Circuit

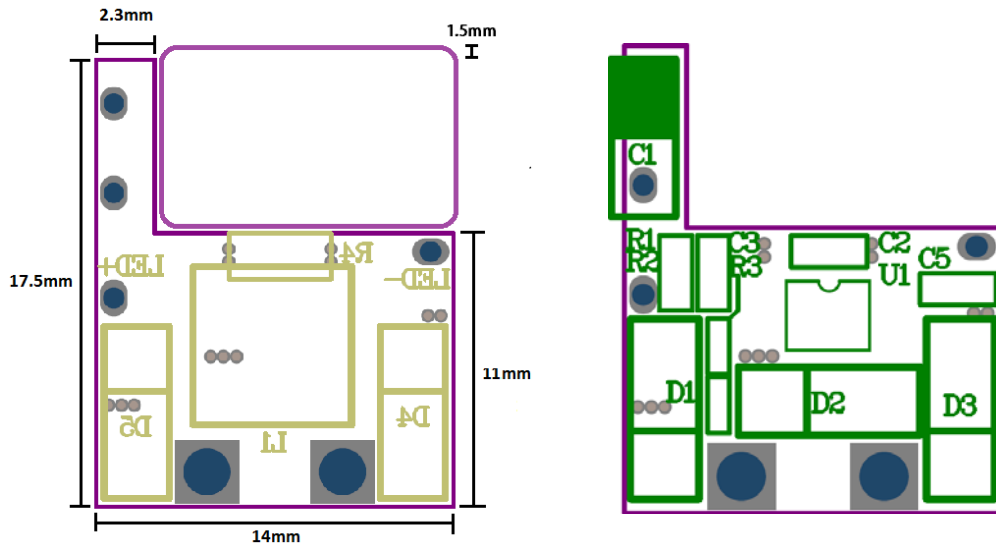
CE/RoHS Compliance



SPECIFICATION

| Symbol | Characteristics | Condition | Min. | Typ. | Max. | Unit |
|--------|--|-----------------------------------|------|------|------|------|
| Input | Voltage | AC | | 12 | | V |
| | Voltage | DC | 10 | | 14 | V |
| | Efficiency | Vin=12V(DC) Iout=700mA Vout=6v | 78 | 80 | 82 | % |
| Output | Voltage | | 5 | 6 | 7 | V |
| | Current | | 650 | 700 | 750 | mA |
| | Current Accuracy | | | | ±7 | % |
| | Ripple Current | Vin=12V(AC) Iout=700mA Vout=6v | | | 40% | Ip-p |
| | Power | | | 4.2 | 5.2 | W |
| | Operating Temperature | | -20 | | +40 | °C |
| | Storage Temperature | | -40 | | +80 | °C |
| NOTE | (1) Different measuring instruments have deviation (2) Component Temperature Over 90°C Recommend Use Thermal Conductivity of Glue (3) After Rectifier DC Vin-Vout > 2v (4) Secondary Processing (Wire & Assembly) Note ESD Protection | | | | | |

DIMENSION



TOP VIEW

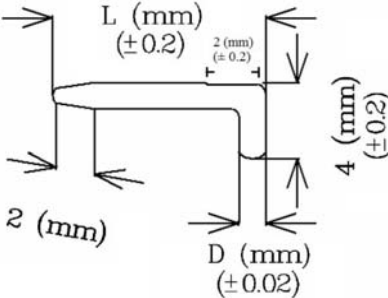
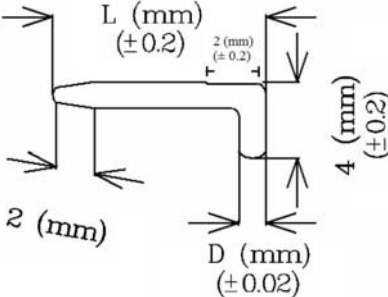
BOTTOM VIEW



SIDE VIEW

Tolerance : $\pm 1.0\text{mm}$

CONNECTOR TYPES & PIN ASSIGNMENTS

| Location | SPEC | Remark |
|--|-------------------------------|--------|
| (AC) Input L | $D = 1.5\varnothing$ $L = 11$ | 尖頭 |
|  | | |
| (AC) Input N | $D = 1.5\varnothing$ $L = 11$ | 尖頭 |
|  | | |
| (DC) Output LED+ | | |
| NC | | |
| (DC) Output LED- | | |
| NC | | |