



APPROVAL SPECIFICATION SHEET

CUSTOMER:

PART NUMBER:

A0-MR16-R850-45A-A

SPECIFICATIONS:

Input AC-DC 12v / Output 5~7v 833mA

BRAND:

LONGSHEN

CUSTOMER P/N:

DATE:

CUSTOMER	VENDOR	
APPROVED BY	CHECKED BY	CONFIMED BY

台北縣中和市中正路 880 號 11 樓之 7

TEL: +886-2-8228-1101 · FAX: +886-2-8228-1103

<http://www.long-shen.com>

5W MR16 LED Driver

FEATURES

AC/DC Input Voltage Range

Constant Output Current

Hysteretic PFM improves efficiency at light loading

Low Ripple

Protection: OTP / Open & Short Circuit

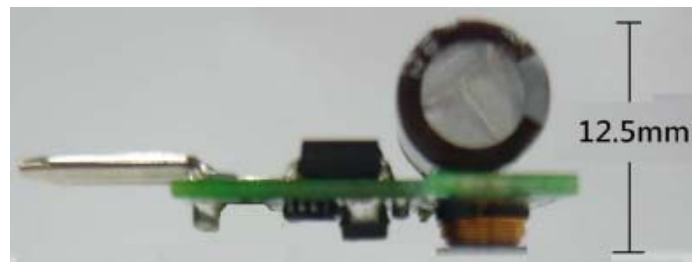
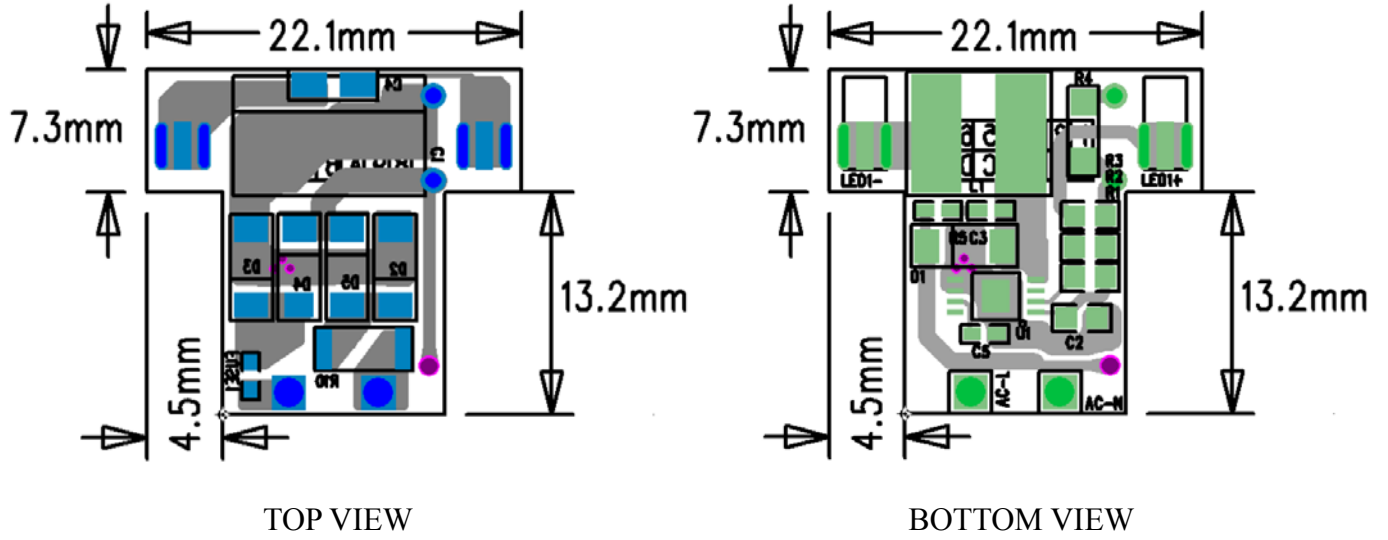
CE/RoHS Compliance



SPECIFICATION

Symbol	Characteristics	Condition	Min.	Typ.	Max.	Unit
Input	Voltage	AC		12		V
	Voltage	DC	10		14	V
	Efficiency	Vin=12V(DC) Iout=833mA Vout=6v	78	80	82	%
Output	Voltage		5	6	7	V
	Current		774	833	892	mA
	Current Accuracy				±7	%
	Ripple Current	Vin=12V(AC) Iout=833mA Vout=6v			10%	Ip-p
	Power			5	6.2	W
	Operating Temperature		-20		+40	°C
	Storage Temperature		-40		+80	°C
NOTE	(1) Different measuring instruments have deviation (2) Component Temperature Over 90°C Recommend Use Thermal Conductivity of Glue (3) After Rectifier DC Vin-Vout > 2v (4) Secondary Processing (Wire & Assembly) Note ESD Protection					

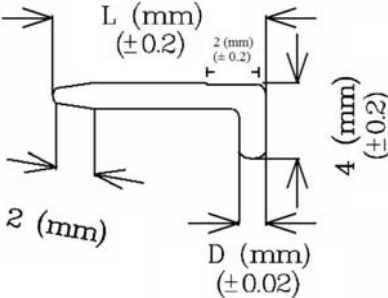
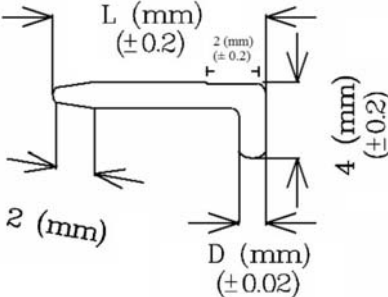
DIMENSION



SIDE VIEW

Tolerance : $\pm 1.0\text{mm}$

CONNECTOR TYPES & PIN ASSIGNMENTS

Location	SPEC	Remark
(AC) Input L	D = 1.5Ø L= 11	尖頭
		
(AC) Input N	D = 1.5Ø L= 11	尖頭
		
(DC) Output LED+		
NC		
(DC) Output LED-		
NC		